

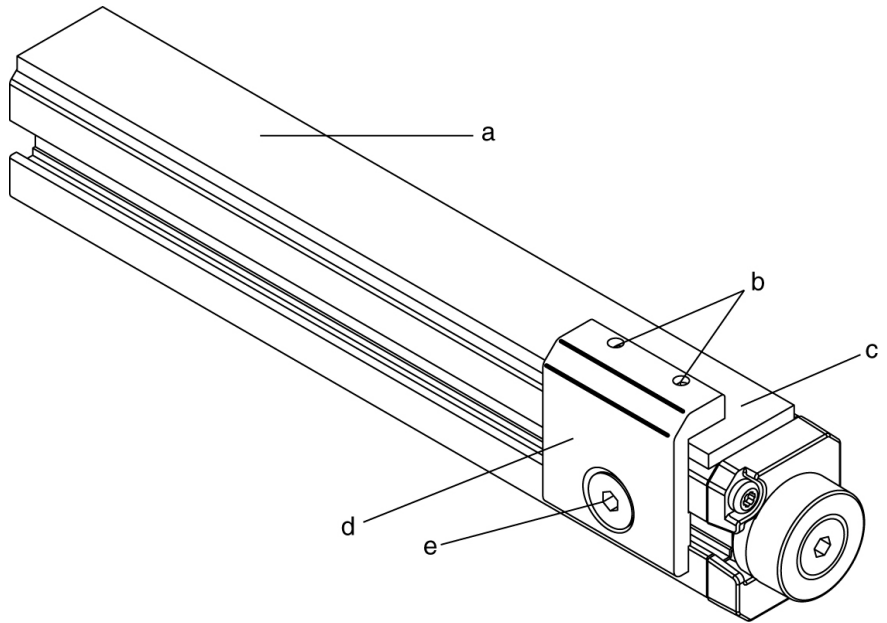


## Protective Screen for SD2 and SD4 Safety Light Curtains

The protective screens fitted on the SOLID devices prevent the device's front screen from being damaged. If the protective screen is damaged by daily operation, it can be easily replaced.

### Features

- Protective screen of clear PMMA
- Stability provided by two or three brackets
- Damaged screens easily replaced
- Suitable for SOLID-2 and SOLID-4



- a = Protective screen
- b = Grub screw, M4x8
- c = SOLID 2/4 transmitter or receiver
- d = Screen clamp
- e = M6x10 countersunk screw and sliding nut

## Areas of application and ordering information

Device front screen protection in harsh environmental conditions.

### Selection table

Art. no.	Article	Description	Length	Bracket
346803	PS-SD-300	Protective screen, 300 mm	341.5 mm	429042 AC-PS-MB-SD-1 Set consisting of two brackets
346804	PS-SD-450	Protective screen, 450 mm	491.5 mm	
346806	PS-SD-600	Protective screen, 600 mm	641.5 mm	
346807	PS-SD-750	Protective screen, 750 mm	791.5 mm	
346809	PS-SD-900	Protective screen, 900 mm	941.5 mm	
346810	PS-SD-1050	Protective screen, 1,050 mm	1091.5 mm	
346812	PS-SD-1200	Protective screen, 1,200 mm	1241.5 mm	429043 AC-PS-MB-SD-2 Set consisting of three brackets
346813	PS-SD-1350	Protective screen, 1,350 mm	1391.5 mm	
346815	PS-SD-1500	Protective screen, 1,500 mm	1541.5 mm	
346816	PS-SD-1650	Protective screen, 1,650 mm	1691.5 mm	
346818	PS-SD-1800	Protective screen, 1,800 mm	1841.5 mm	



Please note that the range of the safety light curtain is reduced by the use of the protective screen by approx. 10 % per screen. With a SOLID-4E with 40 mm resolution and a standard range of 20 m, transceiver and receiver are protected by a protective screen; the result is a maximum range of 16 m for the overall system.

**Leuze electronic GmbH + Co. KG**  
 Liebigstrasse 4  
 82256 Fuerstenfeldbruck / Germany  
 Phone +49 8141 5350-0  
 Telefax +49 8141 5350-190  
 info@leuze.de  
 www.leuze.com

### Mounting