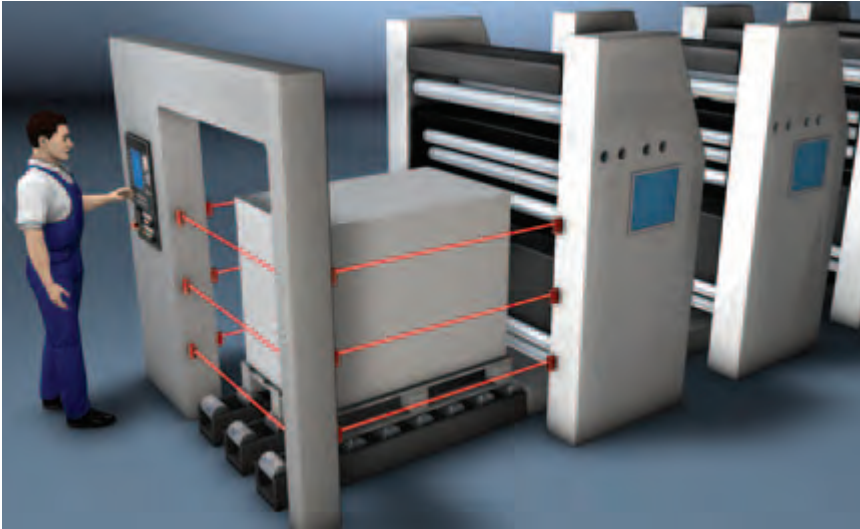


SINGLE LIGHT BEAM SAFETY DEVICES

SLSR 8



Guarding a sheet-fed printing machine with an SLSR 8 Single Light Beam Safety Device

Versatile Single Light Beam Safety Devices are used in the printing and packaging area. It is an advantage here to use a Light Beam Safety Device that combines numerous functions in itself. Because of its functional diversity, the SLSR 8 Light Beam Device is a true multi-talent. It has an active ambient light suppression and push-pull switching outputs, and many more features. It is protected by a robust metal housing that provides IP 67 protection rating and can be used in tough industrial conditions in a temperature range from -40 to $+60^{\circ}\text{C}$. Together with a Test Monitoring Unit such as TNT 35 or a configurable MSI Safety Relay, the SLSR 8 forms a type 2 active opto-electronic protective device.

Typical areas of application

- Access guarding on printing and packaging machinery

Important technical data, overview

Type in accordance with IEC/EN 61496	Type 2 in combination with a Safety Interface or a Test Monitoring Unit
Category in accordance with EN ISO 13849	2
Operating range	0...10 m
Operating voltage, U _B	10... 30 V DC (incl. residual ripple)
Dimensions (WxHxD)	15 mm x 65.5 mm x 38 mm
Housing	Metal
Switching outputs	2 push-pull switching outputs Pin 2: pnp dark-on, npn light-on Pin 4: pnp light-on, npn dark-on
Connection system	M12 round pin plug

Functions

LED display

Activation input for test and series connection

Active ambient light suppression (A²LS)

Function extension

With Safety Interface	Relay output	RES	EDM	Muting	Further details
TNT 35	●	●	●		p. 478
MSI-s	●	●	●		p. 450
MSI-sx	●	●	●		p. 450
MSI-m	●	●	●	●	p. 464

Special features

- Push-pull switching outputs for light/dark switching and as control function
- Selectable connection direction via swivel M12 plug



Features



Further information

Further information	Page
● Ordering information	286
● Electrical connection, see LS763 connection example	281
● Technical data	286
● Dimensional drawings	288
● Accessories ordering information	288

Machine Safety

Machine Safety Services

Safety Engineering Software

Safety Laser Scanners

Safety Light Curtains

Multiple Light Beam Safety Devices

Safety Sensor Sets

Single Light Beam Safety Devices

AS-Interface Safety at Work

PROFIsafe Sensors

SINGLE LIGHT BEAM SAFETY DEVICES

Ordering information

SLSR 8, consisting of transmitter and receiver

Functions: Activation input for test and series connection, active ambient light suppression (A²LS)

Art. no.	Article	Description	Connection system
50038791	SLSSR 8.8-S12	Transmitter, metal, red light	M12 round pin plug, 5-pin
50038792	SLSER 8/66-S12	Receiver, metal, red light	M12 round pin plug, 5-pin

Electrical connection

See LS763 connection example, page 281.

Technical data

General system data

Type in accordance with IEC/EN 61496	Type 2 in combination with a Safety Interface or a Test Monitoring Unit
Service life (T _M) in accordance with EN ISO 13849-1	20 years
Category in accordance with EN ISO 13849	2
Mean time to dangerous failure (MTTF _d) in accordance with EN ISO 13849-1	On request
Operating range	0...10 m
Response time	2 ms
Operating voltage, U _B	10... 30 V DC (incl. residual ripple)
Safety class	II
Protection rating	IP 67
Ambient temperature, operation	-20...+60 °C
Ambient temperature, storage	-40...+70 °C
Housing	Metal
Weight (transmitter and receiver)	70 g

Transmitter

Current consumption	35 mA
Transmitter diodes, class in accordance with EN 60825	1
Light source	Red light
Wavelength	660 nm
Activation input for test and series connection	24 V DC Active ≥ 8 V Inactive ≤ 2 V
Connection system	M12 round pin plug, 5-pin

Technical data

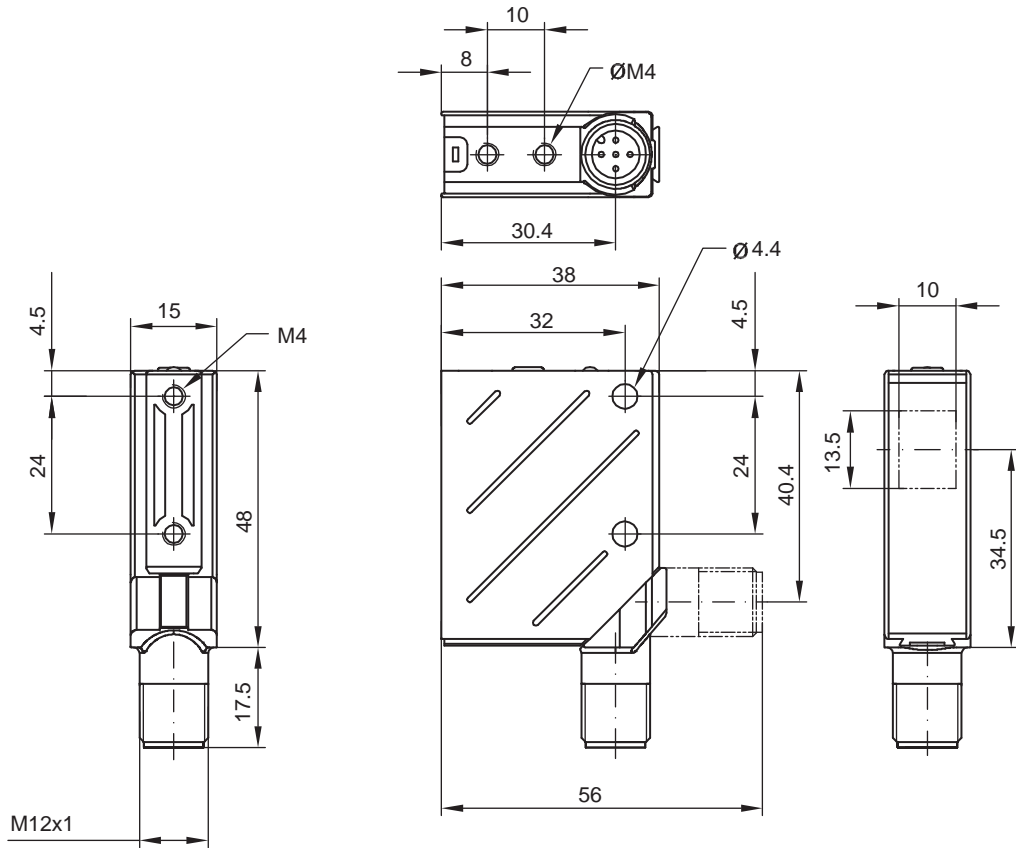
Receiver	
Current consumption	35 mA without external load
Switching outputs	2 push-pull switching outputs Pin 2: pnp dark-on, npn light-on Pin 4: pnp light-on, npn dark-on
Switching voltage high active	Min. $U_v - 2\text{ V}$
Switching voltage low	Max. 2 V
Output current	Max. 100 mA
Connection system	M12 round pin plug, 5-pin

Please note the additional information at www.leuze.com/sls.

SINGLE LIGHT BEAM SAFETY DEVICES

Dimensional drawings

SLSR 8 Single Light Beam Safety Device



Dimensions in mm

Accessories ordering information

Art. no.	Article	Description	Length, design
Connection cables			
50104545	K-D M12W-4P-5m-PVC	Connecting cable, 5 m, M12, 4-pin	Angled, PVC
50104544	K-D M12A-4P-5m-PVC	Connecting cable, 5 m, M12, 4-pin	Axial, PVC
Deflecting Mirror			
50000670	US 1	Deflecting Mirror	
50017434	US 2	Deflection mirror on mounting plate, can be turned by 90°	